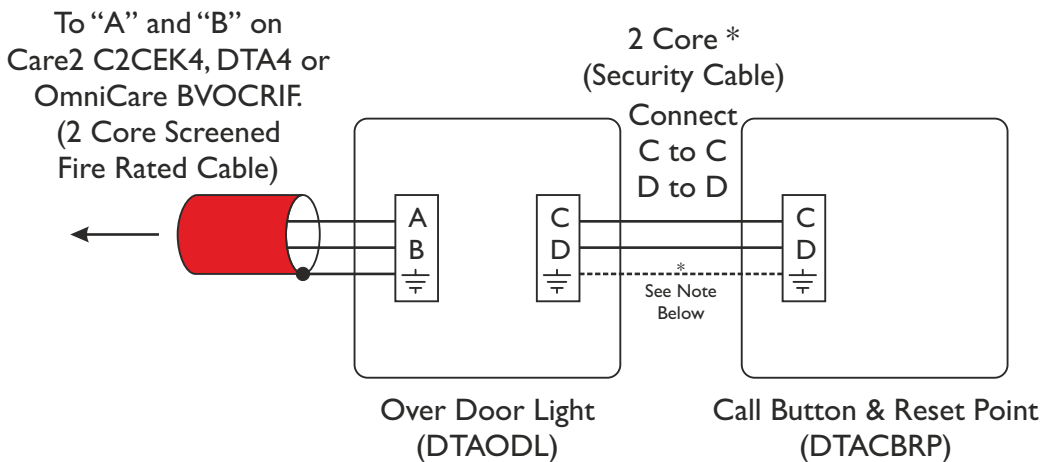
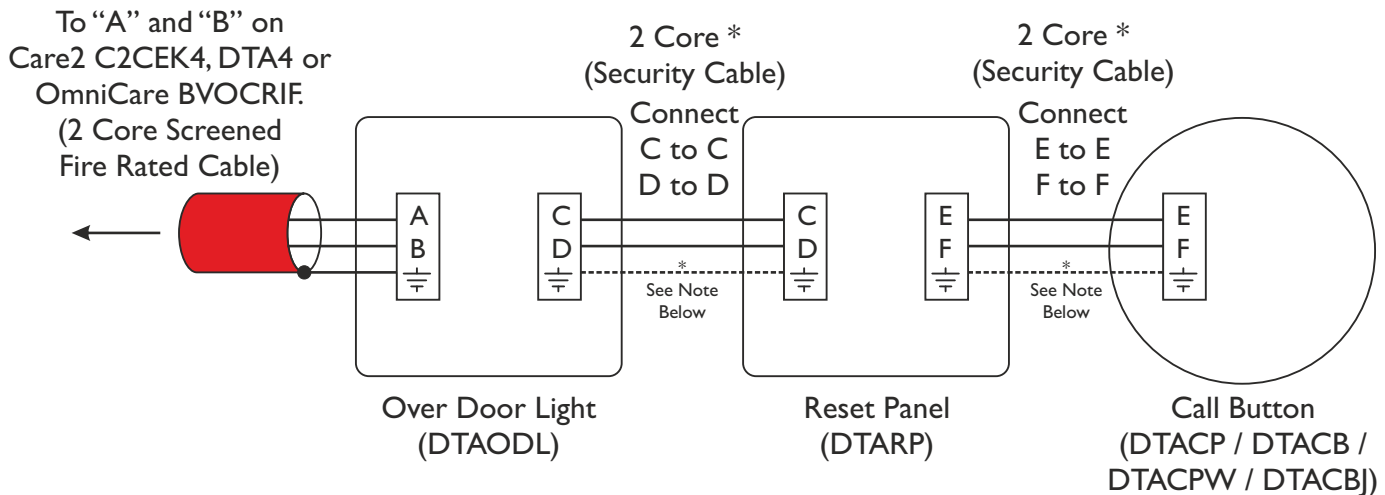


Assistance Call Installation Instructions

A monitored Assistance Call system must comprise of 1 x overdoor light + 1 x call point + 1 x reset point.

The Assistance Call components are compatible with DTAKIT components and can be added to provide additional call/reset points.



*The Safety Earth connection MUST be fitted if Stainless Steel front panels or metal back boxes are used.

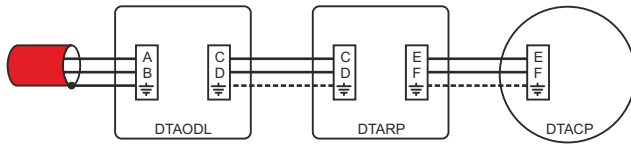
If IP65 Moisture Resistant Assistance Call products are used (DTARPM, DTACPM, DTACBM & DTACBRPM) the connection details are as per DTARP, DTACP, DTACBM & DTACBRP products.

When installing IP65 Moisture Resistant Assistance Call products care must be taken to ensure that the front panel mounting screws of these products are tightened in turn to ensure the front panel is located evenly on the back box. A 16mm cable access hole must be carefully drilled in the back box in the desired location and the supplied cable grommet used.

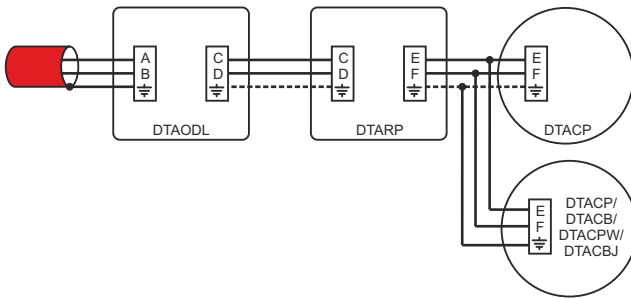
Detailed overleaf are the possible configurations of an Assistance Call EVC System.

Please note that in order to meet the requirements of BS8300:2009 for Disabled Toilet Alarm Systems the DTAODL, DTARP and DTACP must be installed as shown in the DTA Kit Installation Instructions. Other Assistance Call products can be added to these systems as long as the DTA kit components are installed as shown.

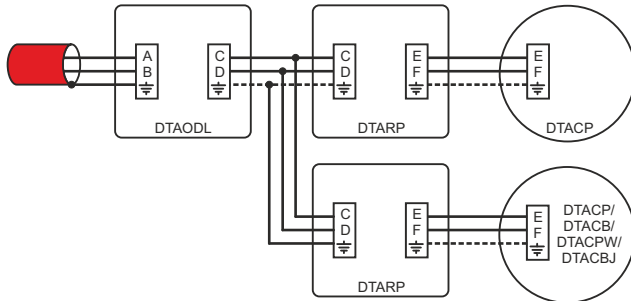
Assistance Call - Monitored Examples



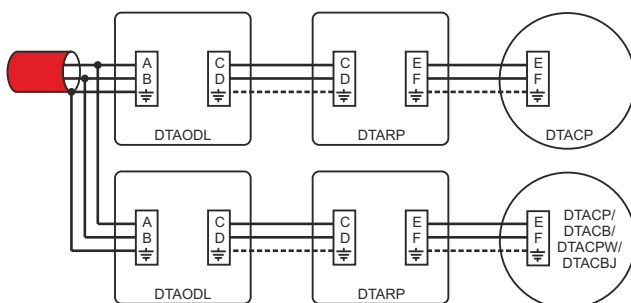
1 x DTAKIT



1 x DTAKIT
1 x Call Button

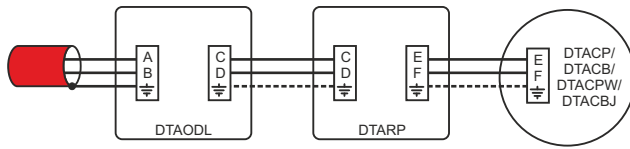


1 x DTAKIT
1 x DTARP
1 x Call Button

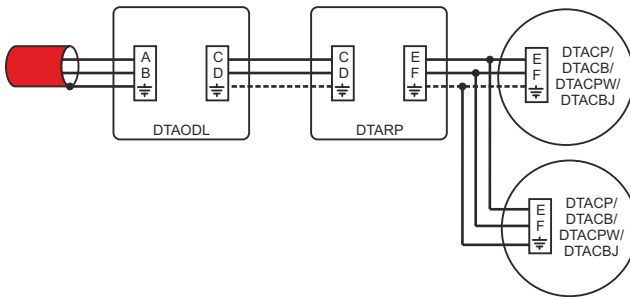


2 x DTAKIT
Or
1 x DTAKIT
1 x DTAODL
1 x DTARP
1 x Call Button

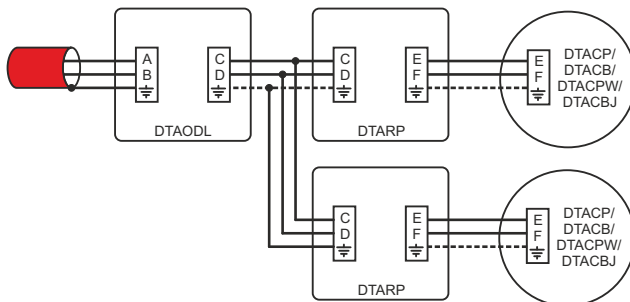
Assistance Call - Monitored Examples



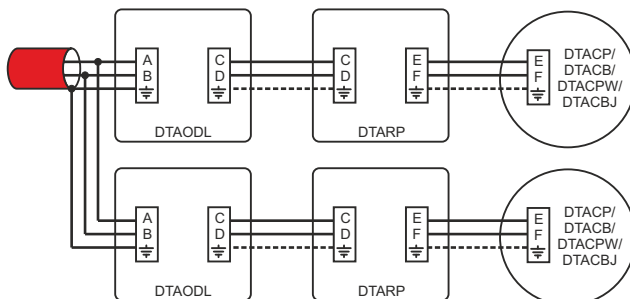
1 x DTAODL
1 x DTARP
1 x Call Button



1 x DTAODL
1 x DTARP
2 x Call Button

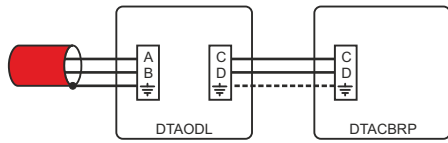


1 x DTAODL
2 x DTARP
2 x Call Button

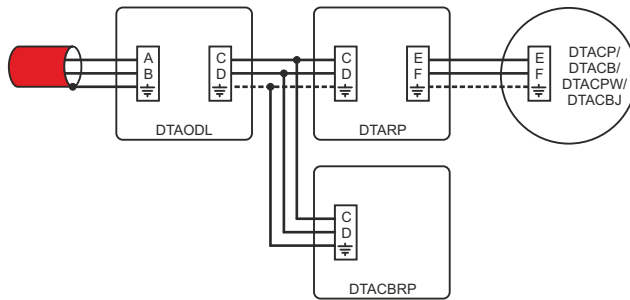


2 x DTAODL
2 x DTARP
2 x Call Button

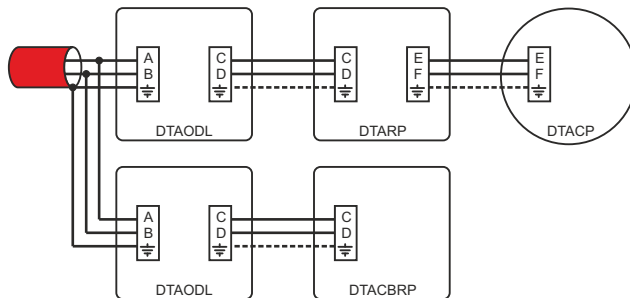
Assistance Call - Monitored Examples



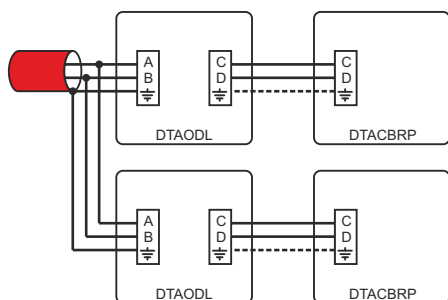
1 x DTAODL
1 x DTACBRP



1 x DTAKIT
1 x DTACBRP
Or
1 x DTAODL
1 x DTARP
1 x Call Button
1 x DTACBRP



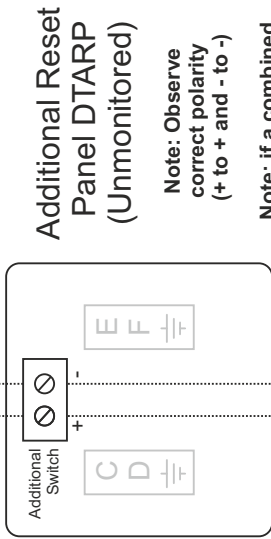
1 x DTAKIT
1 x DTAODL
1 x DTACBRP
Or
2 x DTAODL
1 x DTARP
1 x Call Button
1 x DTACBRP



2 x DTAODL
2 x DTACBRP

Connection Details for Additional Reset Panels and Call Points (Unmonitored for Faults)

Further Reset Switches Normally Open (Unmonitored)

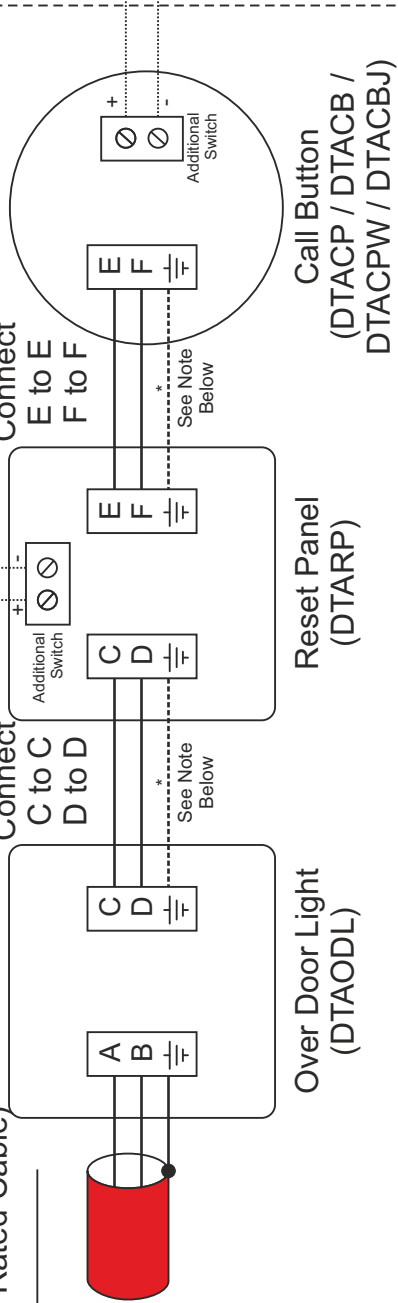


Additional Reset Panel DTARP (Unmonitored)

Note: Observe correct polarity (+ to + and - to -)

Note: if a combined unit (DTACBRP) is used as additional switches jumper JP2 must be removed

To "A" and "B" on Care2 Line Card or OmniCare BVOCRIF. (2 Core Screened Fire Rated Cable)

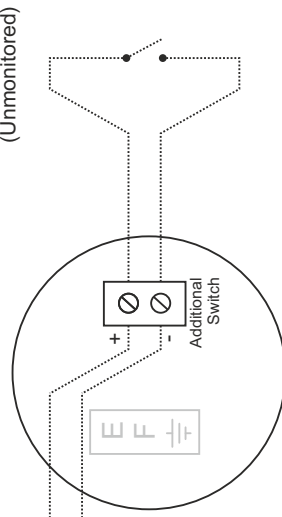


Additional Call Point DTACP (Unmonitored)

Note: Observe correct polarity (+ to + and - to -)

Note: if a combined unit (DTACBRP) is used as additional switches jumper JP2 must be removed

Further Call Switches Normally Open (Unmonitored)



Standard Assistance Call (Monitored for Faults)

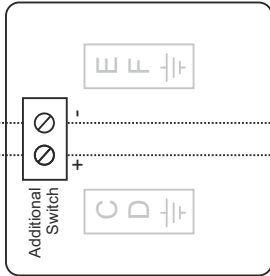
Connection Details for Additional Reset Panels and Call Points (Unmonitored for Faults)

Further Reset Switches Normally Open (Unmonitored)

Additional Reset Panel DTARP (Unmonitored)

Note: Observe correct polarity (+ to + and - to -)

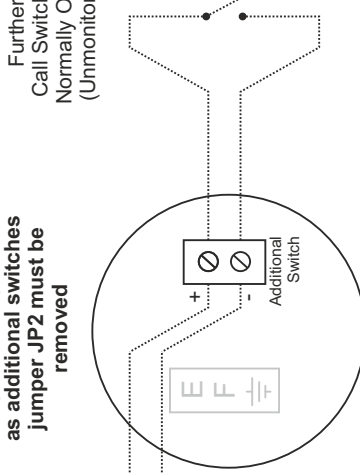
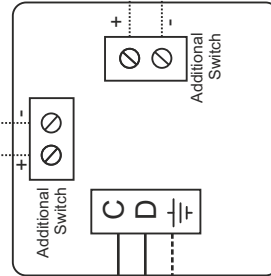
Note: if a combined unit (DTACBRP) is used as additional switches jumper JP2 must be removed



Additional Call Point DTACP (Unmonitored)

Note: Observe correct polarity (+ to + and - to -)

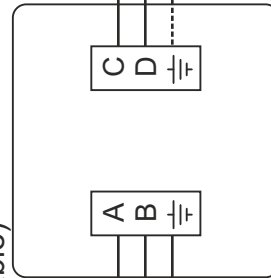
Note: if a combined unit (DTACBRP) is used as additional switches jumper JP2 must be removed



Further Call Switches Normally Open (Unmonitored)

To "A" and "B" on Care2 Line Card or OmniCare BVOCRIF. (2 Core Screened Fire Rated Cable)

2 Core * (Security Cable) Connect C to C D to D



Over Door Light (DTAODL)

Call Button & Reset Point (DTACBRP)

* See Note Below

Standard Assistance Call (Monitored for Faults)