

Monitoring End-of-Line

Certified to BSEN54



All critical signal paths of a voice evacuation system must be fully monitored - from the fire officer's microphone, through the amplifiers to the end of the loudspeaker lines. Also, any faults detected with the power supply, internal battery charger and backup batteries must be reported and acted upon. Our BEL1 end of line monitor is one solution.

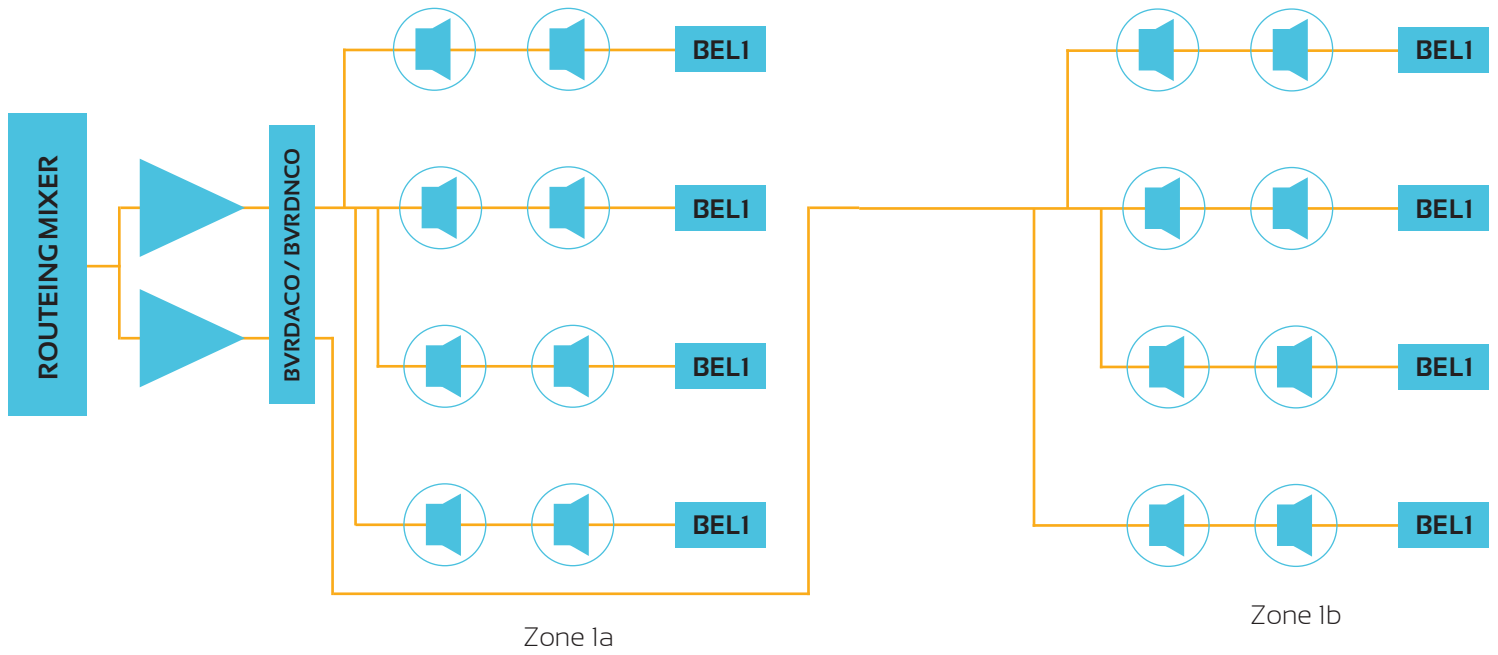
VIGIL 2

VIGIL 3

FEATURES:

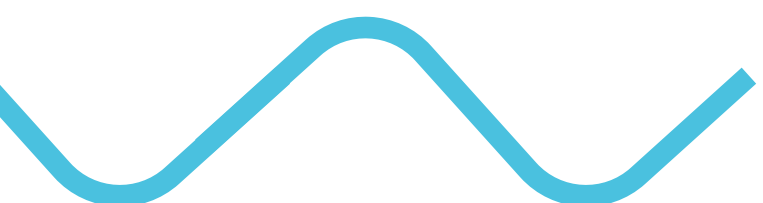
- There are two versions of this unit available:
 - BEL1 - standard.
 - BELIIP - weatherproof.
- The BEL1 is an active unit which is installed on each loudspeaker circuit.
- Up to four BEL1 units can be placed on one speaker run (see diagram over page). All internal DIL switches must be set correctly.
- The unit continually monitors the critical signal path of speaker lines for open, short circuit and earth faults.
- Any detected loudspeaker line faults are displayed on the voice alarm rack.
- Each BEL1 unit uses approximately three Watts of power. This needs to be noted when designing a system.

Typical BEL1 circuit comprising of 4 spurs:



Specifications:

	BEL1	BEL1IP
Dimensions mm H x W x D	80 x 140 x 40	97 x 157 x 80
Weight	0.4 kg	1.2 kg
Finish	RAL 7046	Light grey plastic



BALDWIN BOXALL
LEADING THE WAY TO SAFETY

Baldwin Boxall Communications Ltd
Wealden Industrial Estate, Farningham Road,
Crowborough, East Sussex, TN6 2JR, United Kingdom

T: +44 (0) 1892 664422
E: hello@baldwinboxall.co.uk
W: www.baldwinboxall.co.uk