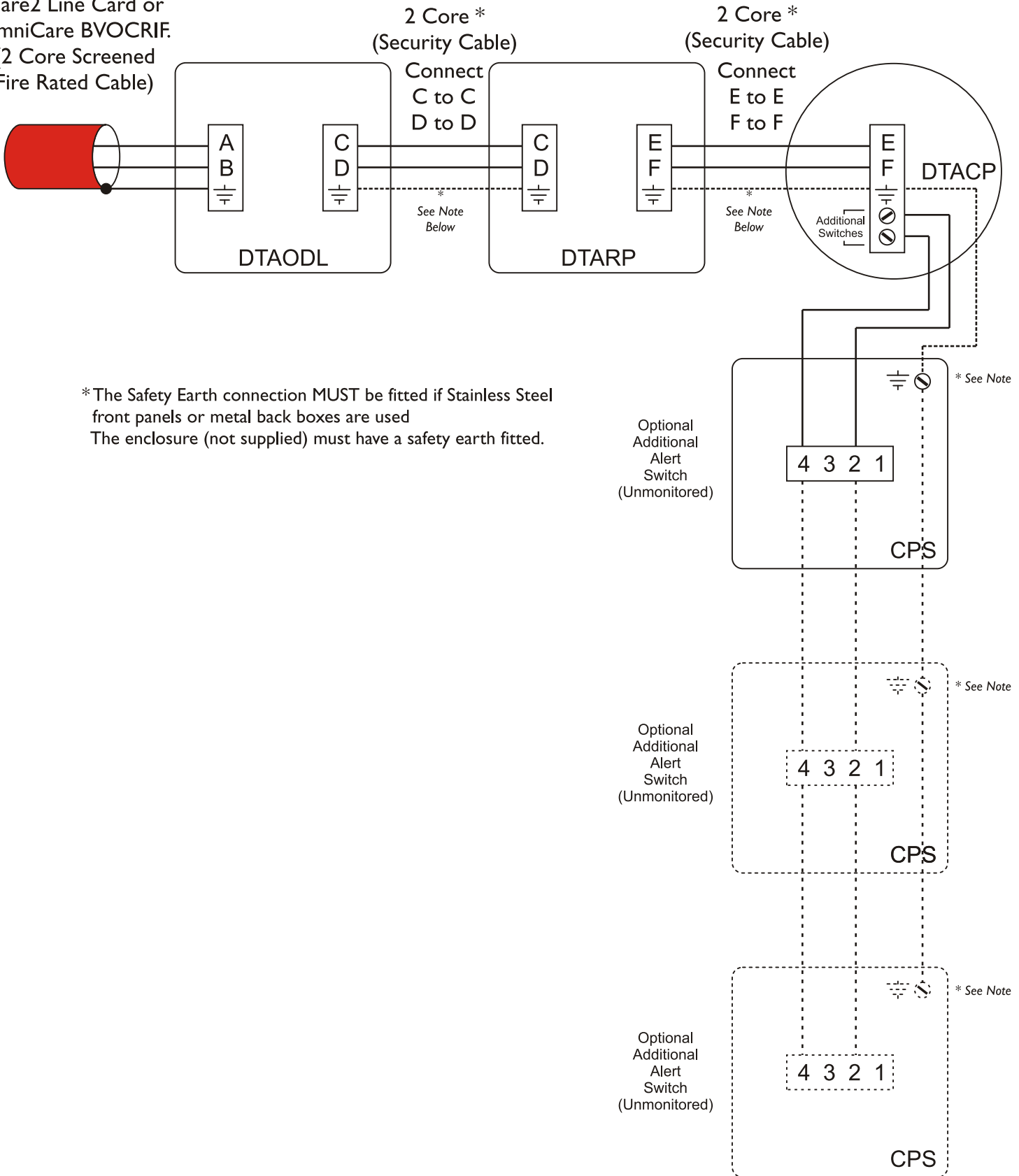




DTAKIT (Disabled Toilet Alarm Kit)

How to Connect Additional CPS Call Switches

To "A" and "B" on Care2 Line Card or OmniCare BVOCRIF. (2 Core Screened Fire Rated Cable)



*The Safety Earth connection MUST be fitted if Stainless Steel front panels or metal back boxes are used
The enclosure (not supplied) must have a safety earth fitted.

Optional Additional Alert Switch (Unmonitored)

* See Note

Optional Additional Alert Switch (Unmonitored)

* See Note

Optional Additional Alert Switch (Unmonitored)

* See Note