

OmniCALL

SAY HELLO TO VERSATILITY

Wire it how you want to, loop and/or radial!

Coming
Soon



Patent pending: GB2605125 & EP4302472

Baldwin Boxall is excited to introduce OmniCALL the revolutionising Emergency Voice Communication (EVC) system

Unparalleled connectivity - OmniCALL's 2-core loop & radial system

Unique 2-core loop system - patent-pending technology.

Non-polarity dependence - Simplifying installation

Non-polarity dependent loop & radial, prevents risk of damage caused by incorrect wiring.

Versatility at it's best - Loop & radial-wired compatibility

Loop wired & radial wired outstations possible from a single control panel.

Extended loop distance - Simplified design & wiring

Dramatically increased distance between outstations and panels compared to other systems.

Reduced power consumption - A step towards sustainability

Increased efficiency - embracing our sustainability goals.

Compliance you can rely on - Advanced remote induction loop

Full adherence to industry standards ensuring optimum performance.

Inclusive design - Standard disabled refuge remote features

Braille and luminescent text on both types of refuge outstations.

Seamless integration - Wiring assistance alarms directly

Connect emergency assistance (toilet) alarms direct to a refuge outstation.

Absolute flexibility - Multiple connection possibilities

Connect 1-128 outstations to a panel - in any combination.

OmniCALL: THE FEATURES

Experience ground-breaking innovation in Emergency Voice Communication with OmniCALL's unique 2-core **LOOP & RADIAL** system.

OMNICALL SYSTEM FEATURES:

- Loop and radial outstation connection on the same system
 - Loop connection
 - 2 core
 - Polarity not important
 - 32 outstations per loop
 - Radial connection
 - 2 core
 - Polarity not important
- Same outstation for loop or radial connection
- Assistance alarms connect direct to outstations
 - Each assistance call is a separate address
- Designed for BS5839-9 and BS8893 compliance
- Patent pending

MASTER STATION FEATURES:

- Flexible outstation connection
 - 4 (expandable to 16) radial outstation connections
 - 32 (expandable to 128) loop outstation connections
- One loop/radial card included
 - 3 additional line slots available
 - 32 loop / 12 radial
 - 64 loop / 8 radial
 - 128 loop / 10 radial
- Internal backup batteries for up to 32 outstations
 - Expandable up to 128 with additional battery enclosure
- 5" full colour TFT display
 - Customisable outstation layout
 - Active call list
 - Live faults view
 - Time & date stamp activity & fault logs
 - Self-describing faults
 - Individual icon per outstation type
 - Two lines of free text fields per outstation
- Delayed call output
 - Interface to third party equipment
 - Interface to remote lamp buzzer
- Up to 5 way conference call
- Paging option
 - Broadcast to the loudspeaker of all 'occupied' refuge outstations and all telephones
- Outstation call option
- Economical 'key & lamp' 8 way master station available

FIRE / EMERGENCY / STEWARD TELEPHONE (TYPE A) OUTSTATION FEATURES:

- Red, green, stainless steel and custom finishes available
- Push door or slot lock options
- Luminescent labelling
- Loop or radial connection
- Induction loop
- Assistance alarm connection direct to outstation
 - Separate indication on master station
- Monitored external beacon option

REFUGE (TYPE B) OUTSTATION FEATURES:

- Standard double-gang backbox installation
 - Flush
 - Plasterboard
 - Surface
- Green, stainless steel and custom finishes available
- Braille
- Luminescent labelling
- Loop or radial connection
- Assistance alarm connection direct to outstation
 - Separate indication on master station

ADVANCE REFUGE (TYPE B) OUTSTATION FEATURES:

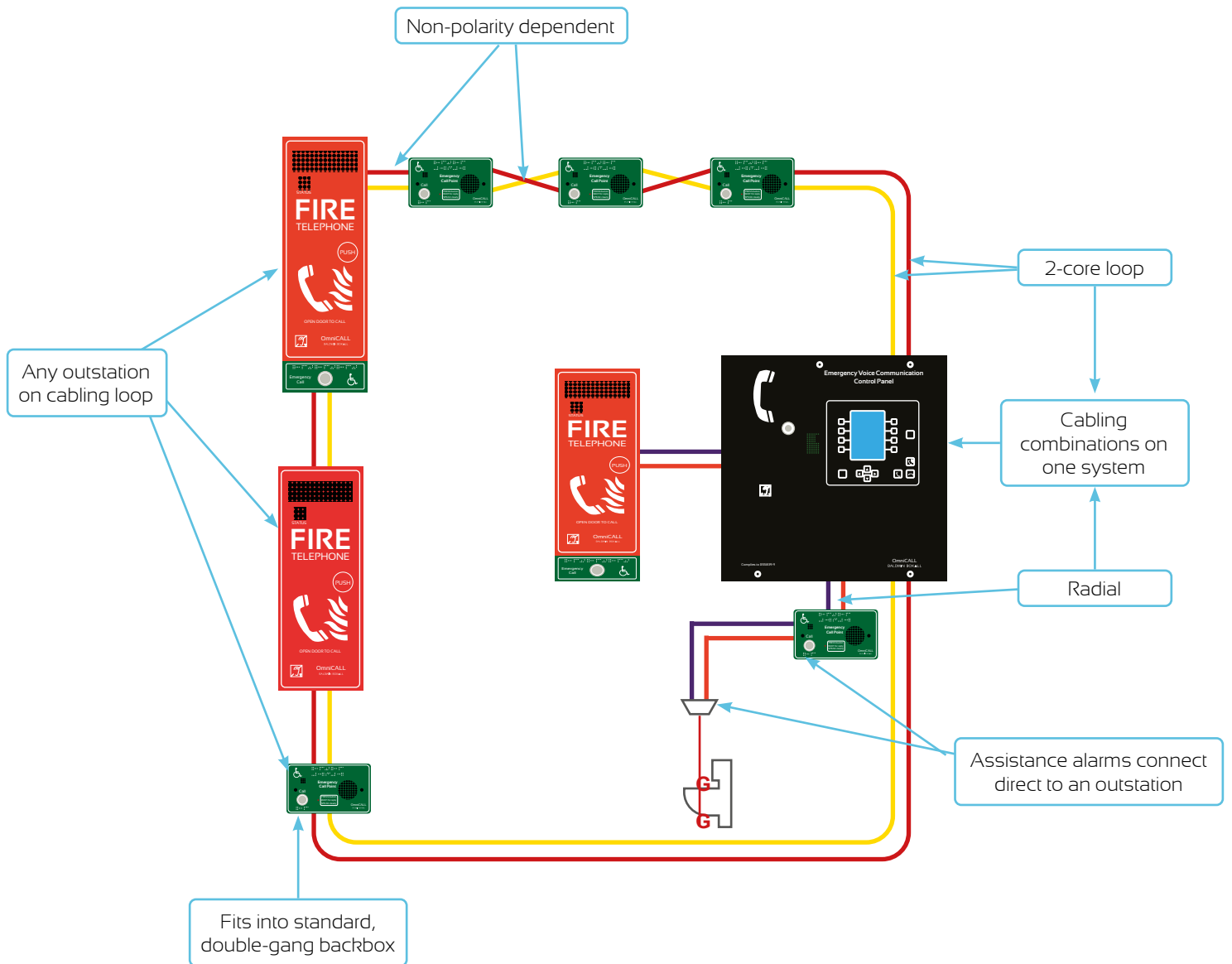
- Green finish
- Braille
- Luminescent labelling
- Loop or radial connection
- Induction loop
- Assistance alarm connection direct to outstation
 - Separate indication on master station

COMBINED EMERGENCY TELEPHONE / REFUGE (TYPE C) OUTSTATION FEATURES:

- Red, green, stainless steel and custom finishes available
- Push door or slot lock
- Braille
- Luminescent labelling
- Loop or radial connection
- Induction loop
- Assistance alarm connection direct to outstation
 - Separate indication on master station
- Monitored external beacon option

Contact Us +44 (0) 1892 664422

OmniCALL: THE BENEFITS



Easy Master Station Operation

- 5" full colour TFT display
- Individual icon per outstation type
 - Fire telephone
 - Steward telephone
 - Refuge outstation
 - Combined outstation
 - Assistance alarm
- Free text fields per outstation
 - 2 lines
 - Name
 - Location

Reduced installation costs

- 2 core
- Loop or radial connection
- Polarity not important

Easy fault finding

- Self-describing faults
- 2 core loop
- Polarity not important

Easy repair

- Same outstation - loop or radial

Easy commissioning

- 5" full colour TFT display
- Self-describing faults

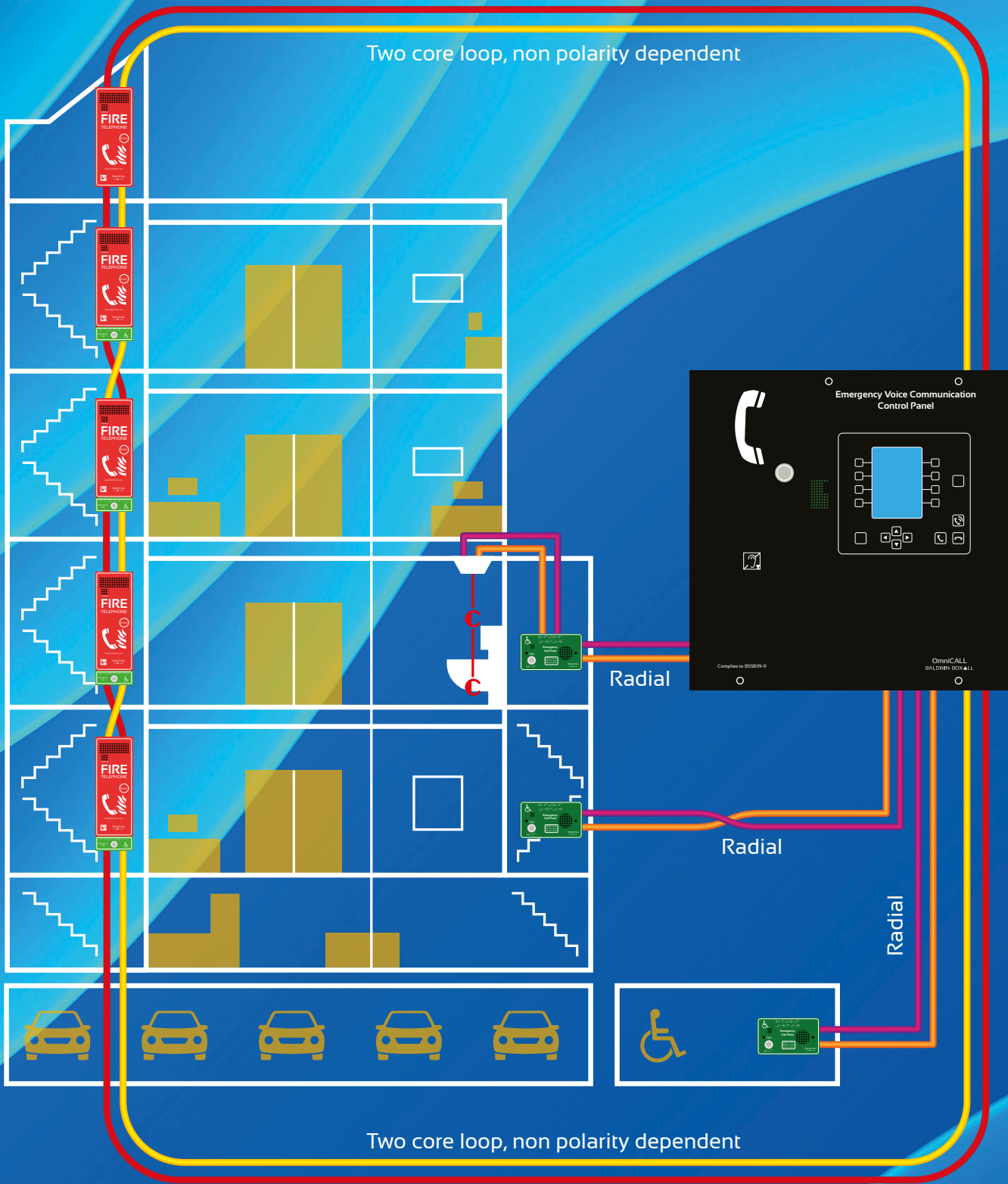
Ready for BS8893 compliance

Designed for BS5839-9 compliance

Re-use existing cabling

Retrofit options available on request

Two core loop, non polarity dependent



Two core loop, non polarity dependent



BALDWIN BOXALL

LEADING THE WAY TO SAFETY

Baldwin Boxall Communications Ltd
 Wealden Industrial Estate, Farningham Road,
 Crowborough, East Sussex, TN6 2JR, United Kingdom
 T: +44 (0) 1892 664422
 E: hello@baldwinboxall.co.uk
 W: www.baldwinboxall.co.uk