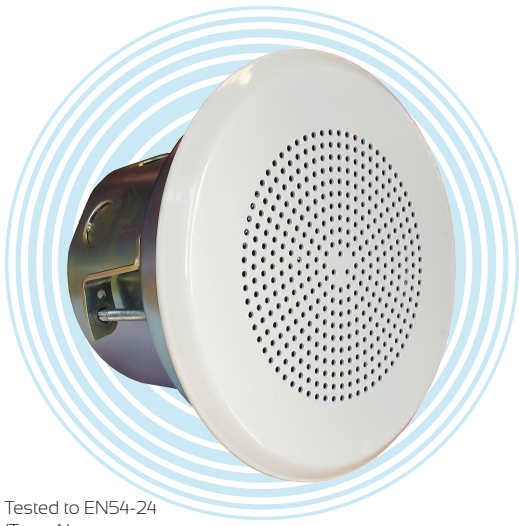


EN54 Certified 6W Ceiling Loudspeaker

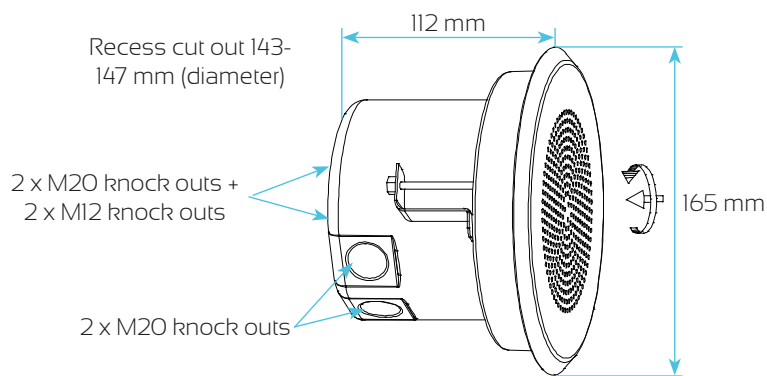


Tested to EN54-24
(Type A)

We supply high-quality, EN54-24 certified loudspeakers - providing you with the complete solution for voice alarm systems.

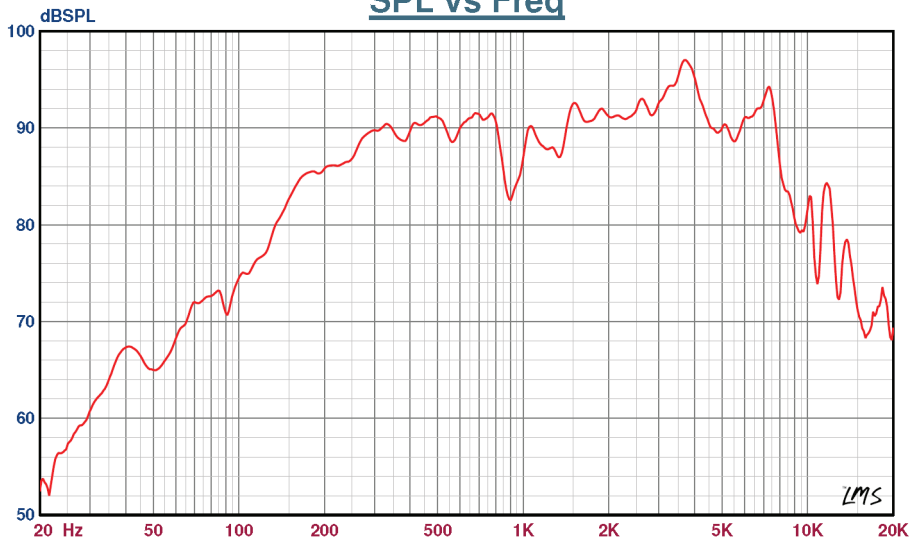
The loudspeakers are powerful and completely reliable with options available for a wide range of industrial and commercial applications.

Includes factory-fitted capacitor - suitable for DC Line & End-of-Line monitoring



Sound pressure levels at 1W/1m P-5/15 PS

SPL vs Freq



The SPRVES561-54T has been tested for 100 hours at maximum power (6W). The model does not deviate more than ± 3 dB from the original test value. The frequency response curve and impedance complies with the original.

All SPL tests have been performed in an anechoic chamber ($<70\text{m}^3$).

70/100V Combined Transformer Primary Connections

White : Green 70V

White : Red 100V

Secondary Nominal Tappings

C : 6.0 W 6.0 W Imp 1660 Ohm

C : 3.0 W 3.0 W Imp 3300 Ohm

C : 1.5 W 1.5 W Imp 6660 Ohm

C : 0.5 W 0.5 W Imp 20000 Ohm

Horizontal/vertical coverage angles -6dB

1 Oct. pink noise 500 Hz 180°

1 Oct. pink noise 1 KHz 180°

1 Oct. pink noise 2 KHz 155°

1 Oct. pink noise 4 KHz 80°

EN54-24 LOUDSPEAKER - the SPRVES561-54T

Meets or exceeds all requirements of EN54-24 & complies with all applicable requirements of BS5839-8.

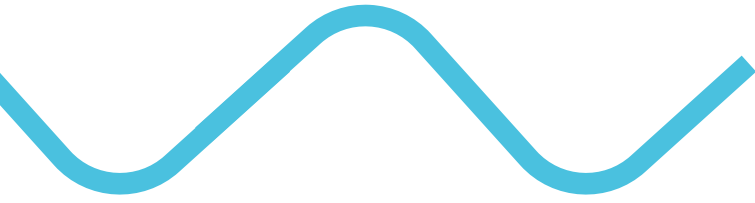


BALDWIN BOX ALL
LEADING THE WAY TO SAFETY

Specifications acc. testing CNBOP/ Manufacturer	
Material / colour	Steel / Aluminium / RAL 9010
Mounting	3 screws
Termination	Ceramic terminal
Weight w/transformer	1140g
IP rating	21C / 32C
Max. / min. ambient temperature	55°C to -10°C / 90°C to -20°C
Rated / max. power	6 W
Sensitivity 1W/4m	77 dB
SPL 6W/4m	84 dB
Frequency range	100 Hz - 13000 Hz
Measurement environment	Standard baffle

Installation, Operation and Maintenance Procedures

- Install the steel box into the cut out hole, turning the screws connected to the three hooks, screw clockwise until the ring is fixed to the ceiling.
- Lead cable through cable gland and connect to terminal.
- Turn the grill gently clockwise within the ring until it stops.
- For optimum performance, always use the correct voltage / power and operate within the frequency limits as stated.
- DO NOT open loudspeaker when powered.



BALDWIN BOXALL
LEADING THE WAY TO SAFETY

Baldwin Boxall Communications Ltd
Wealden Industrial Estate, Farningham Road,
Crowborough, East Sussex, TN6 2JR, United Kingdom

T: +44 (0) 1892 664422
E: hello@baldwinboxall.co.uk
W: www.baldwinboxall.co.uk